

SUN-X

Technical Data – Suspension System

Suspension system	120 cm	165 cm	210 cm*
Width	750 mm	750 mm	750 mm
Length	1200 mm	1650 mm	2100 mm
Height	380 mm	380 mm	380 mm
Weight	62,7 Kg	72,8 Kg	83,5 Kg
*The suspension system can be extended to a length of up to 4,20 m			

Weight of single parts			
Double brushes	29,7 Kg	37,4 Kg	46,0 Kg
Chassis incl. e-Box		13,0 Kg	
Module glider		10,0 Kg	
Drive unit		5,0 Kg	
Battery		5,5 Kg	
Drive motor		4,5 Kg	

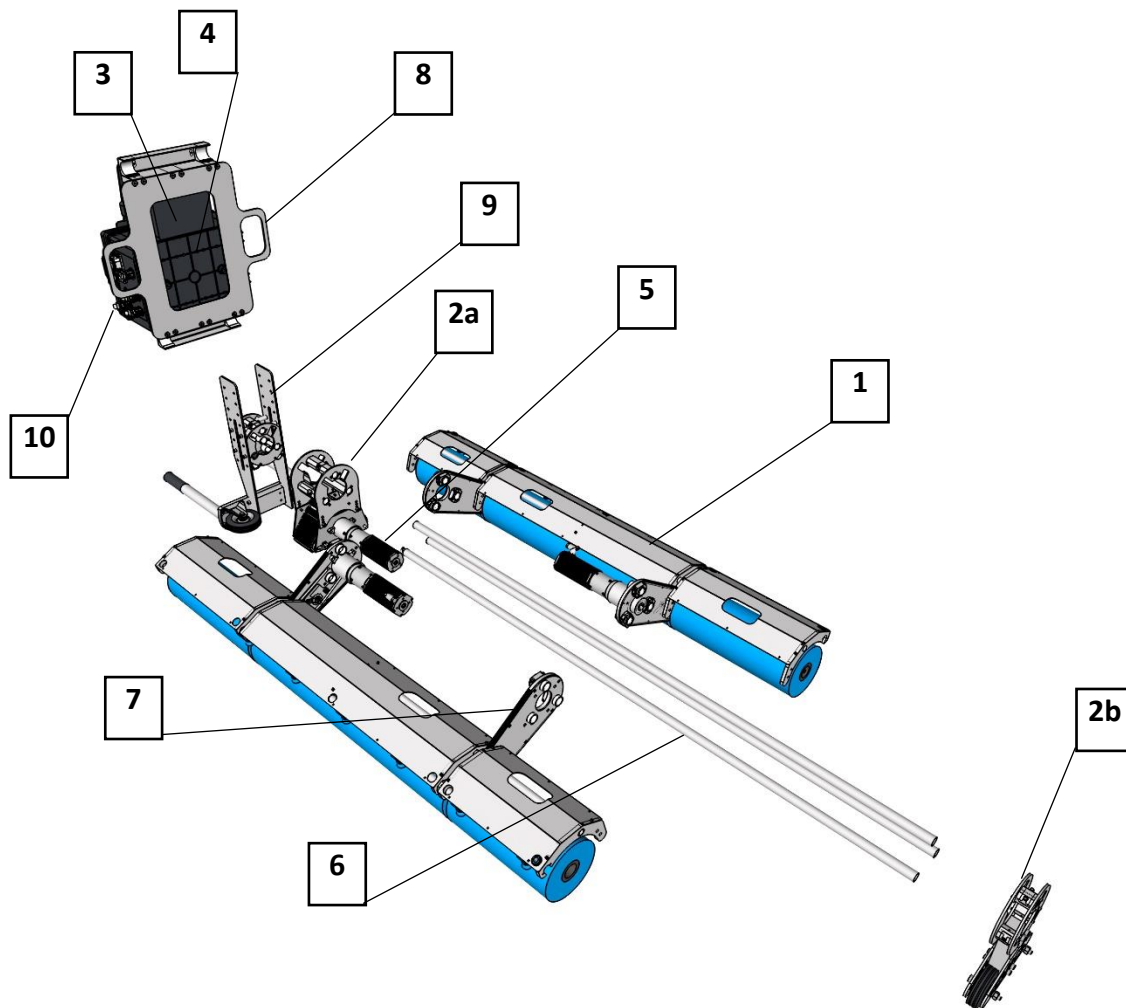
Max. speed	23 m / min		
Regular cleaning speed in m / min **	16,1 m / min		
Regular cleaning speed in m² / h.**	1.158 m ² / h	1.594 m ² / h	2.028 m ² / h
** The basis for these specifics is a regular soling of the PV modules. The cleaning speed increases per extension of +2,10 m in m ² / h respectively, e.g. up to 4.056 m ² / h with a brush size of 4,20 m.			

Max. inclination of the solar modules	40 °
--	------

Leak test	Safety class IP 65
The suspension system is equipped with additional splash guards and cable connectors with additional water resistance	
Water usage	400-600 L / h
Water pressure	Max. 4 bar

Brush rotation¹	200 rpm
¹ The rotation in rpm is adaptable as desired	

Battery power²	
20 Ah	Ca. 80 Min
Y-Connector (40 Ah)	Ca. 2 h
² The suspension system can be powered either via battery or transformer. The battery endurance is dependent on the number of motors used.	



The suspension system consists of the following modular parts / assemblies and components:

Nr.	Component/assemblies
1	Brush module with guard
2	a) Drive unit small b) Running unit
3	Battery
4	e-Box (electronic-Box)
5	Motor

Nr.	Component/assemblies
6	Connecting pipe (3)
7	Carrier arm with Quick-Coupling system
8	Handles
9	Module glider
10	Water connection